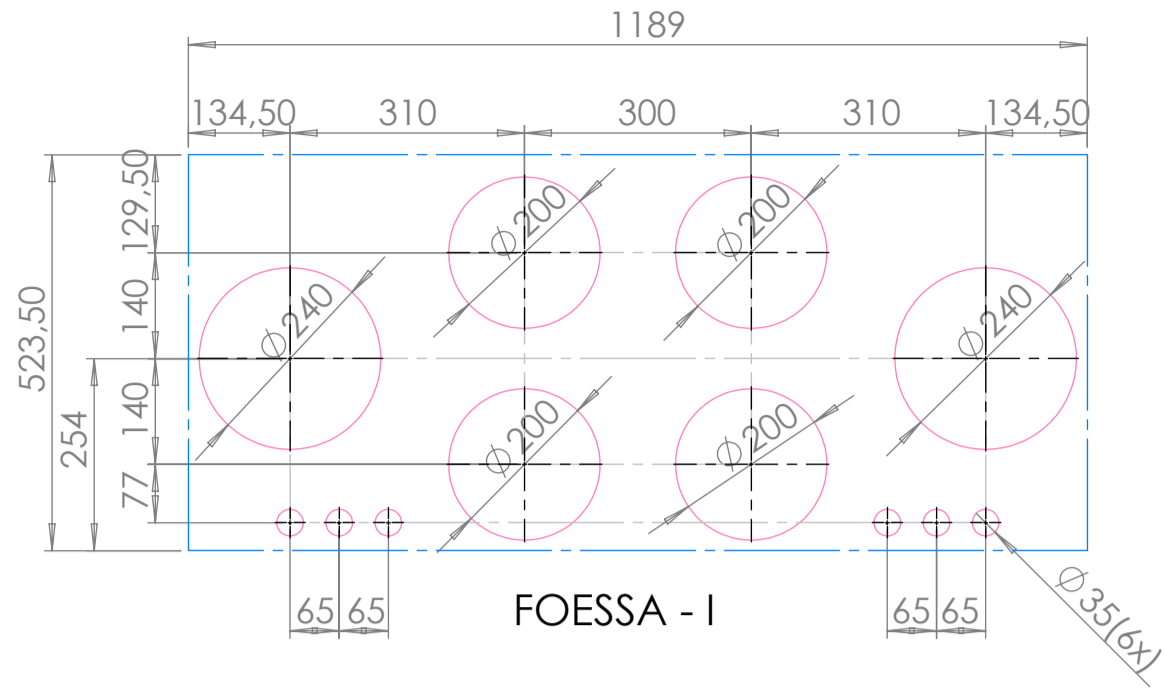


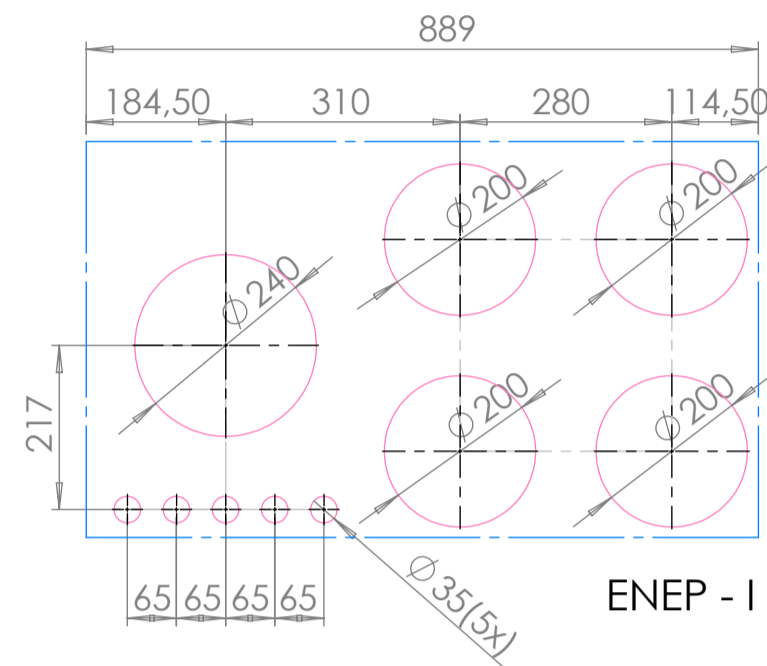
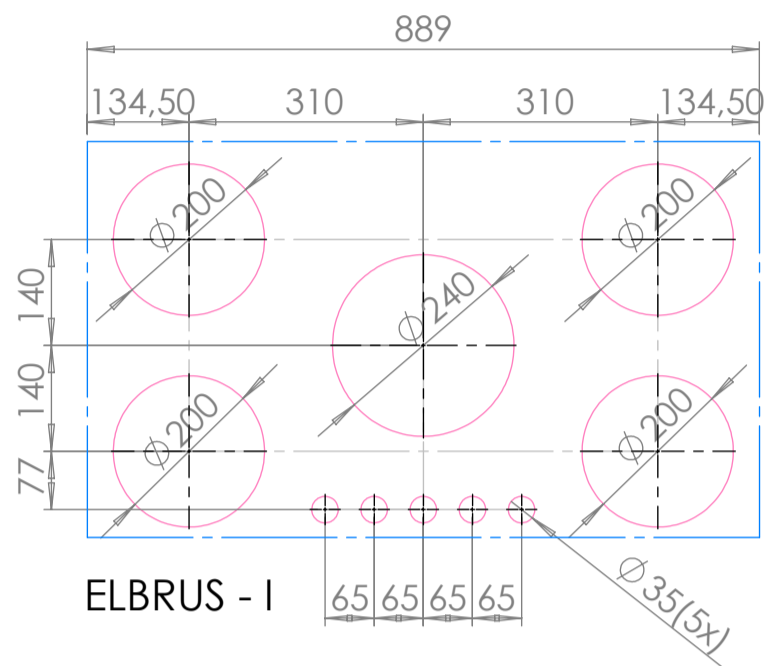
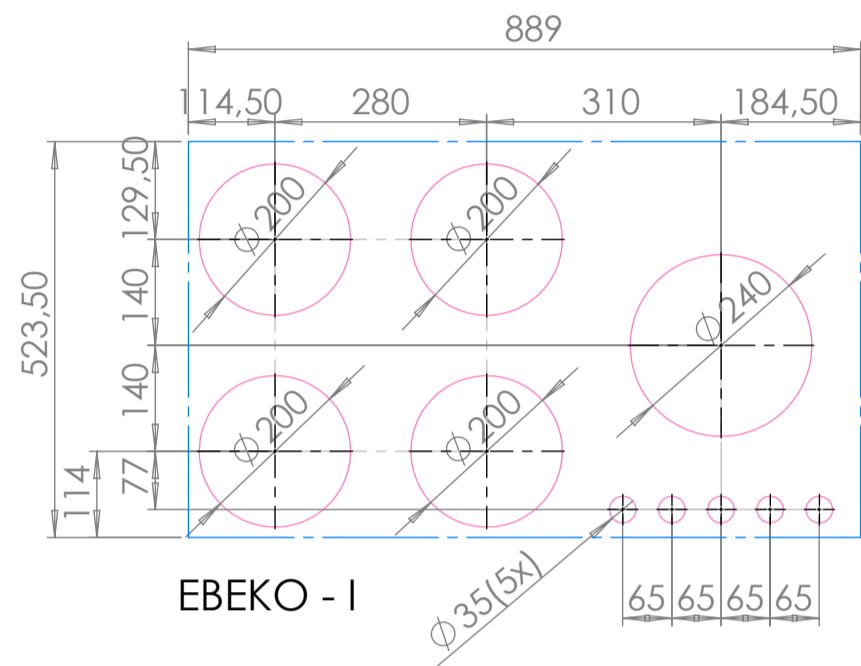
6-PITT



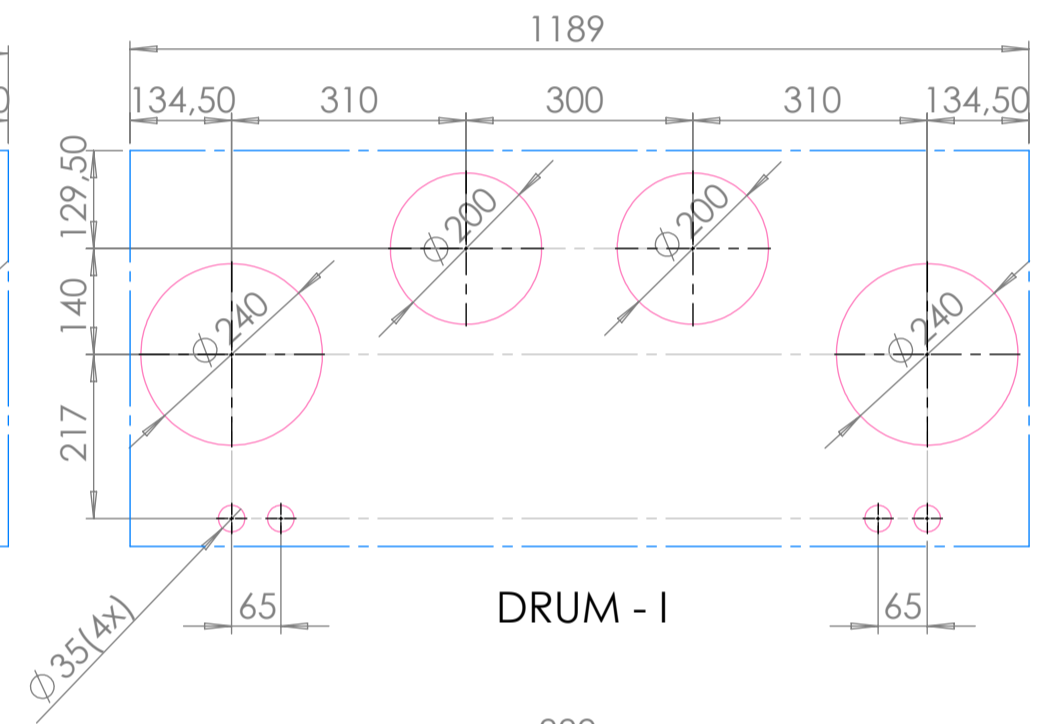
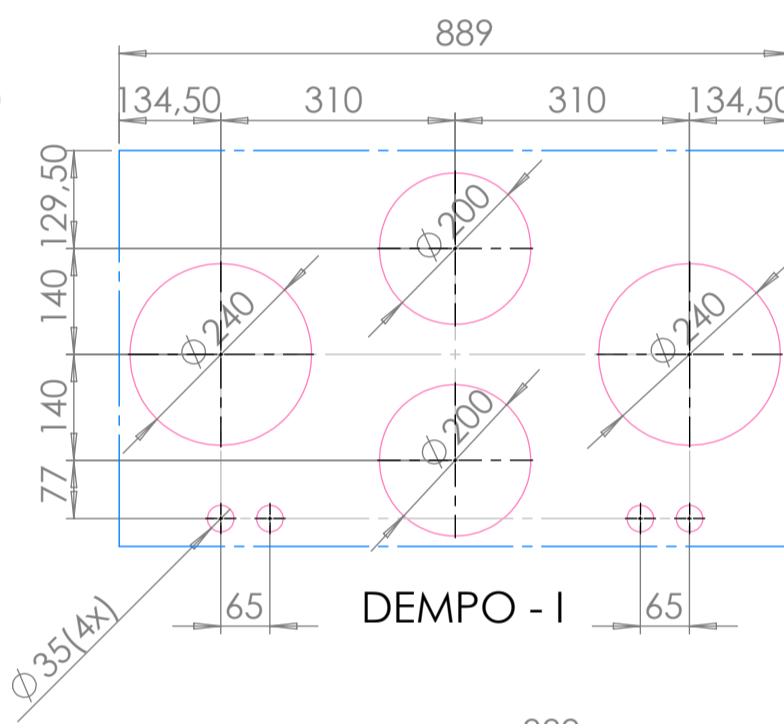
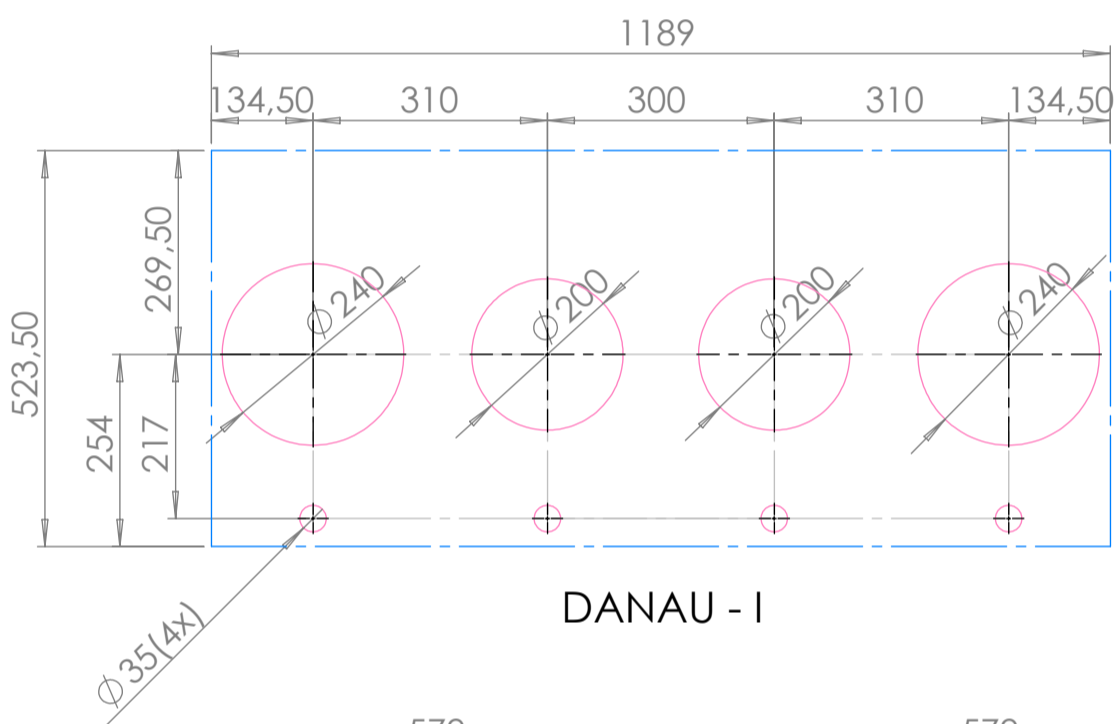
Hole pattern including required free space,  
TOP SIDE models - Induction

Version: 30-05-2024

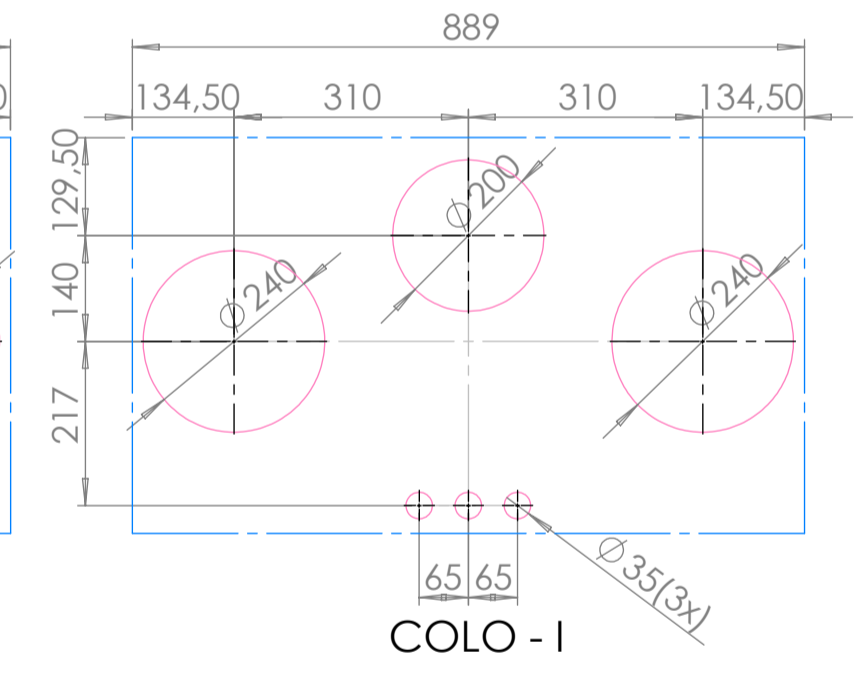
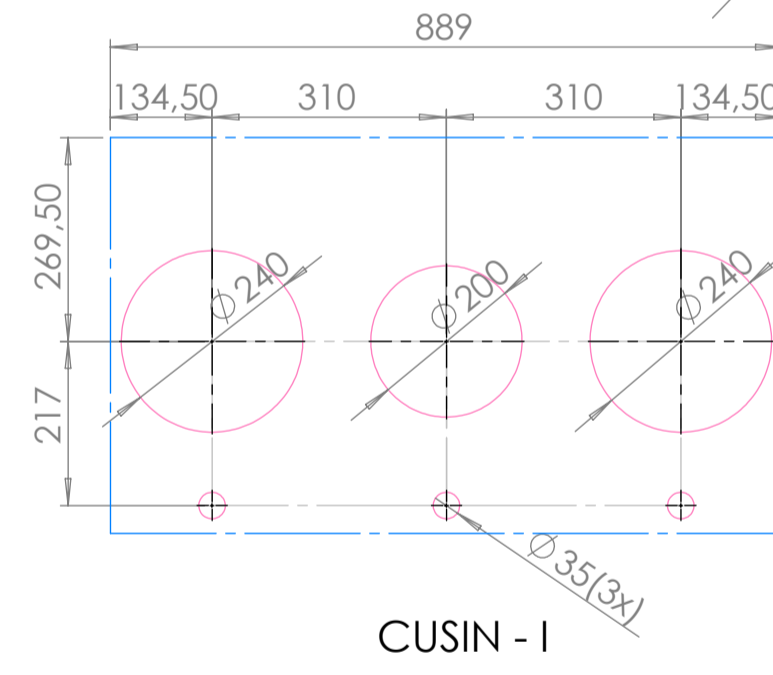
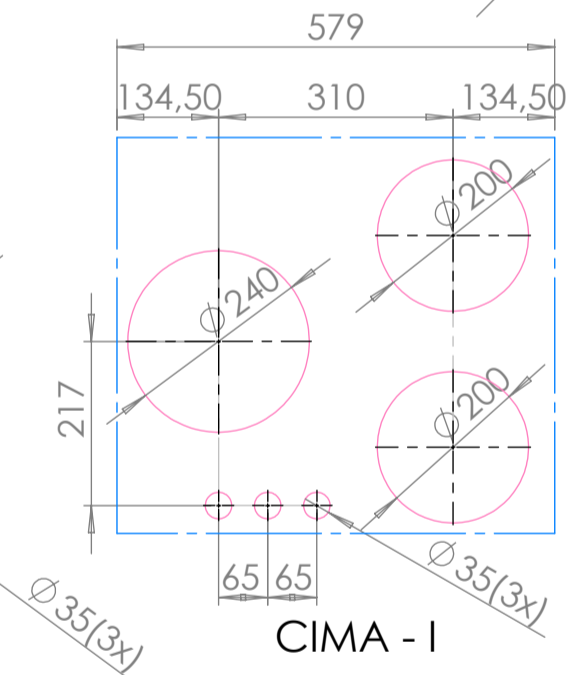
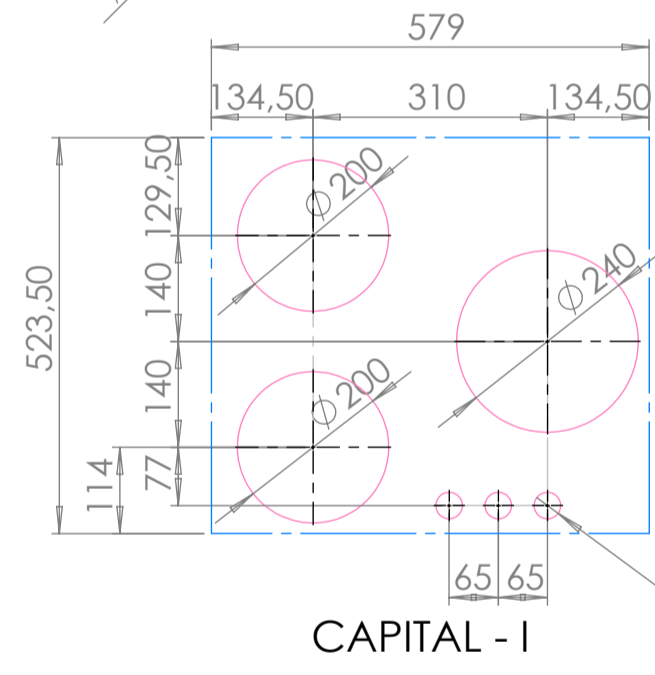
5-PITT



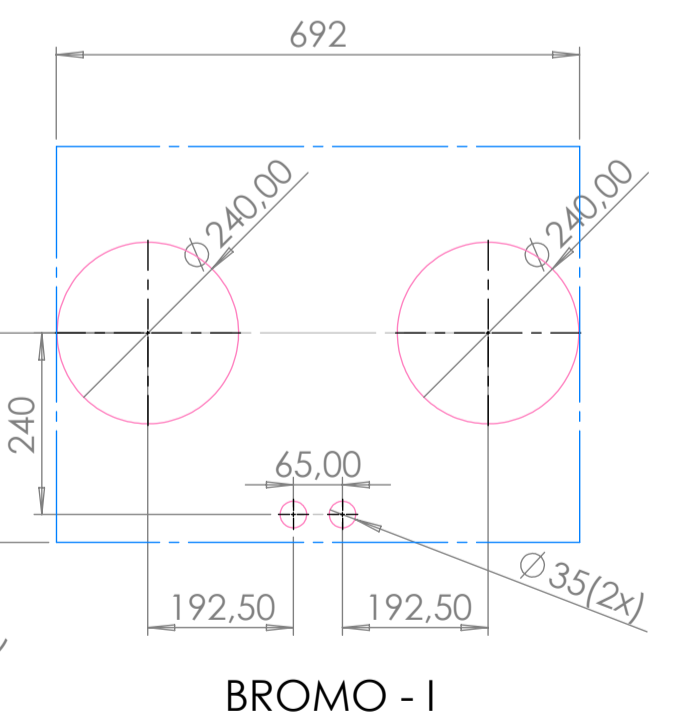
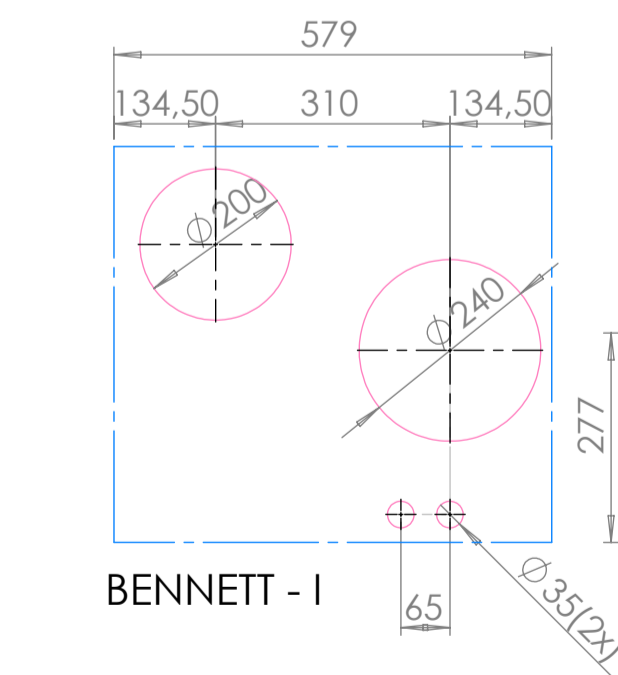
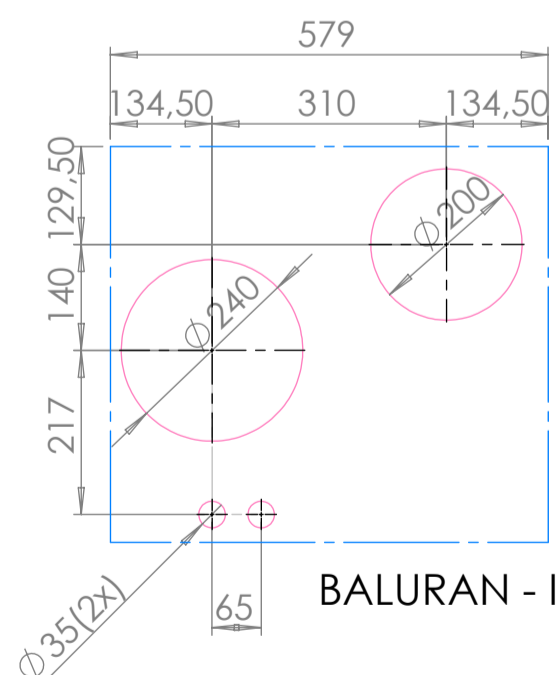
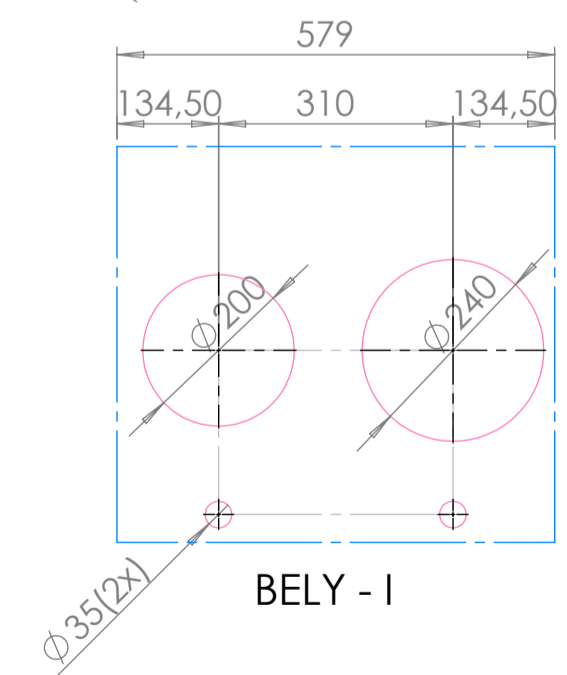
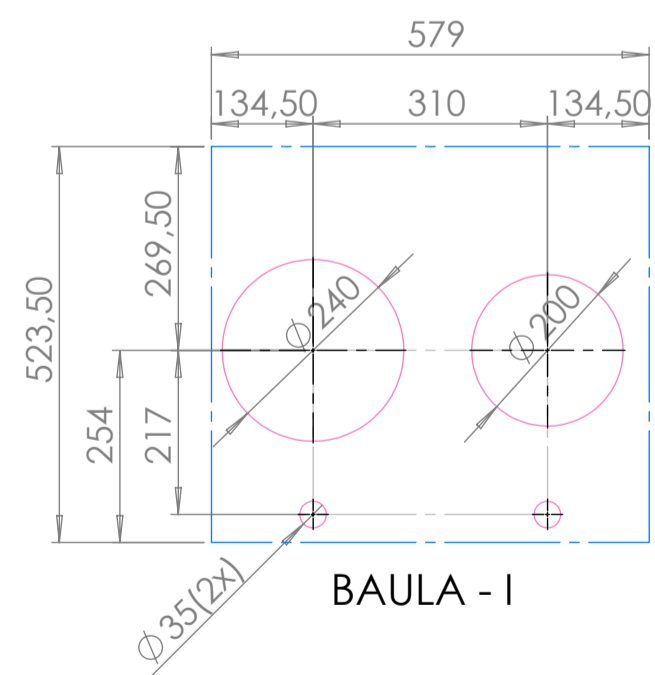
4-PITT



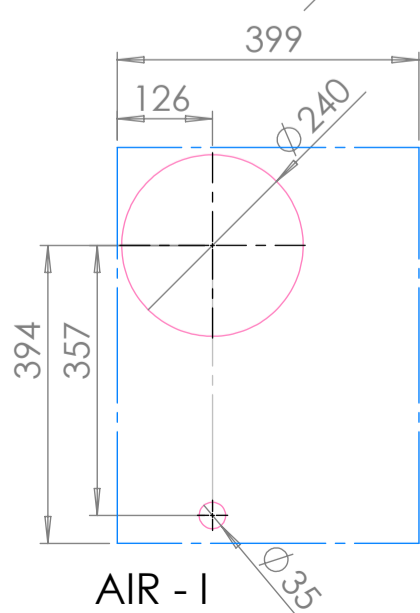
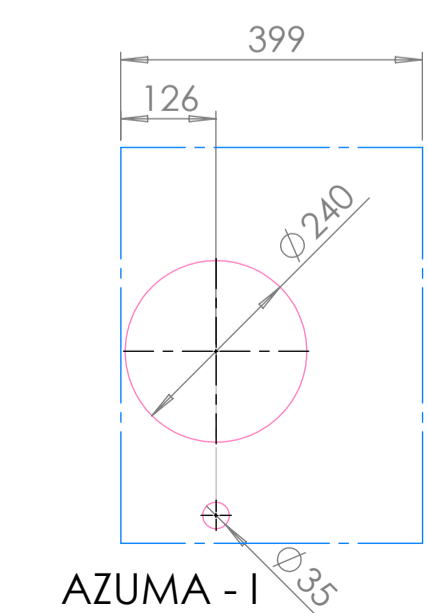
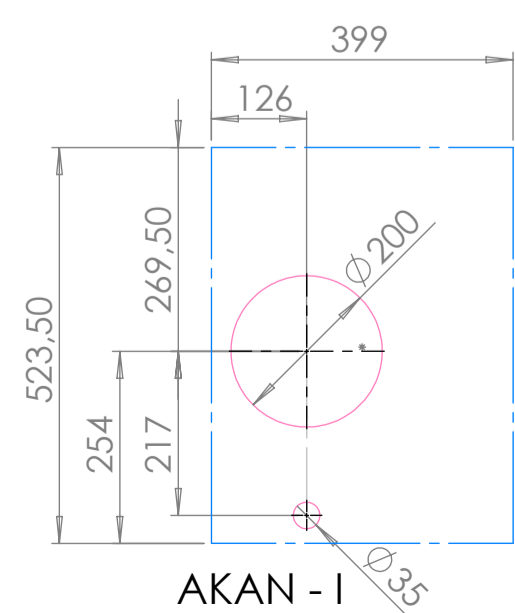
3-PITT



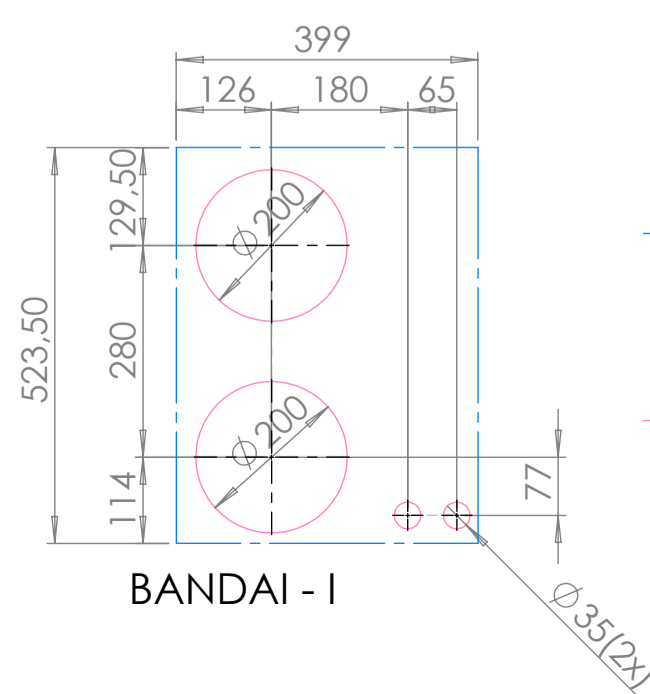
2-PITT



1-PITT



2-PITT



— Required Free Space

— Hole Pattern