



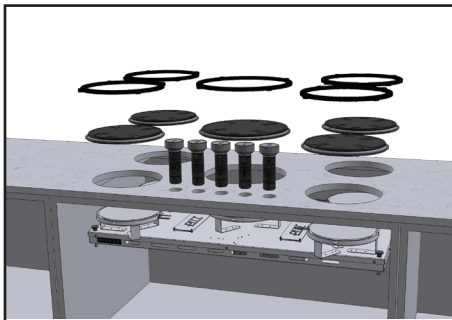
**PITT**  
COOKING



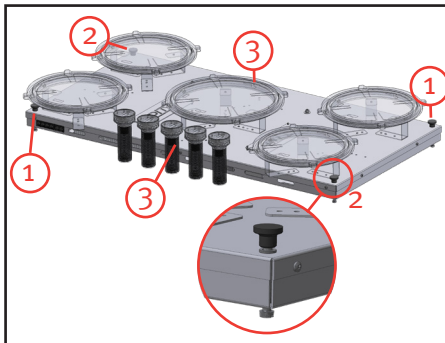
*EN Assembly instructions*

**Top Side/Front Side**

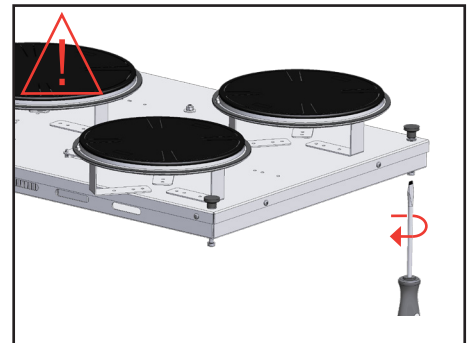
# Assembly instructions Top/Front Side



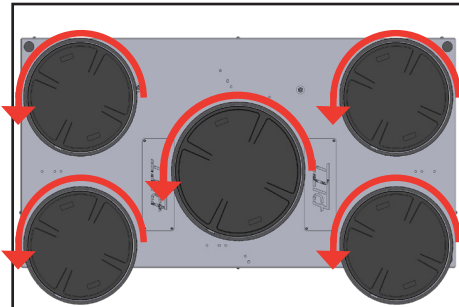
1. Overview of the different components.



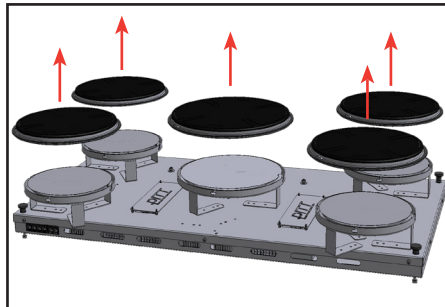
2. Overview of the adjustment screws. These will be discussed later in this manual.



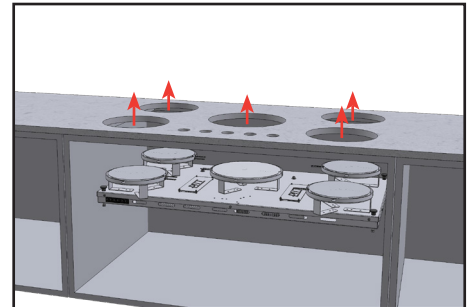
3. Turn all adjusting screws back until the rubber caps touch the tray.



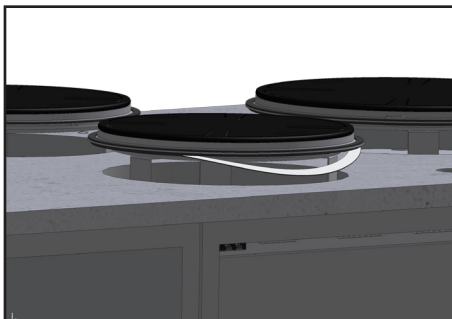
4. Remove all glass plates. These can be removed by turning them counterclockwise.



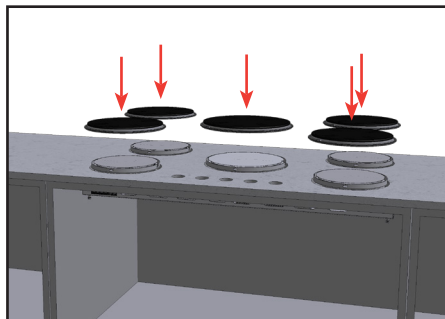
5. After loosening, you can remove the glass plates.



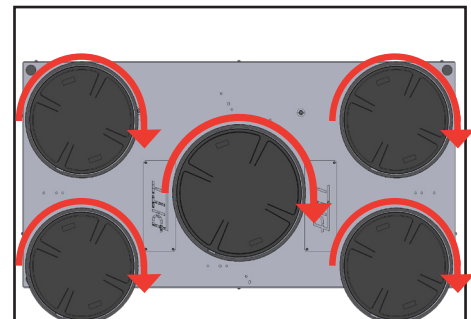
6. Position the unit in the recesses of the countertop.



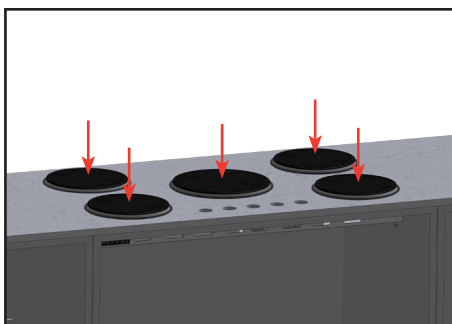
7. Push the unit up from the bottom to create space so that the glass panels can be easily mounted.



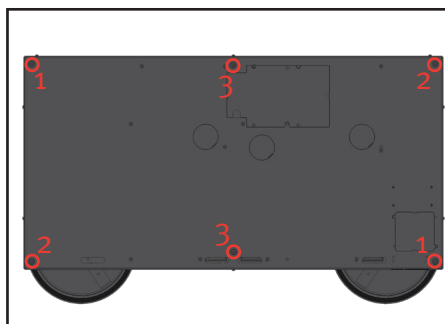
8. Place the glass plates back on the **PITT®** cooking unit.



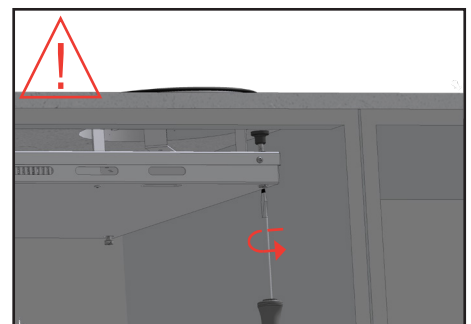
9. The glass plates can be re-mounted on the unit by turning them clockwise. **When properly mounted, you will feel a click.**



10. Lower the unit into the countertop.



11. Tighten the adjusting screws crosswise, according to the numbering shown above.



12. Tighten the adjustment screws hand-tight. Over-tightening can cause the unit to bend.

**TOP SIDE**



11a. For a Top Side PITT® cooking unit, place the knobs into the recesses on the top of the countertop. Proceed to step 12.

**ATTENTION!**

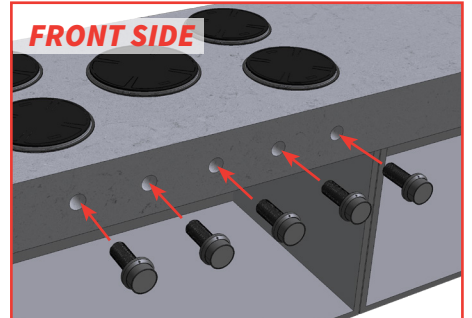
For a Top Side PITT® cooking unit, follow step 11a.

←

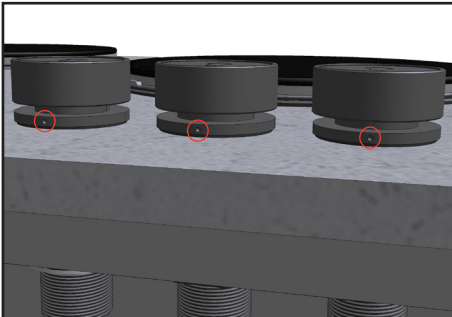
For a Front Side PITT® cooking unit, follow step 11b.

→

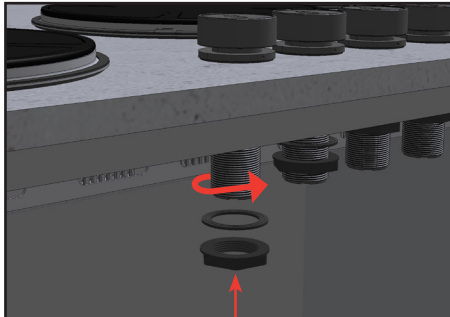
**FRONT SIDE**



11b. For a Front Side PITT® cooking unit, place the knobs into the recesses at the front of the countertop. Proceed to step 12.

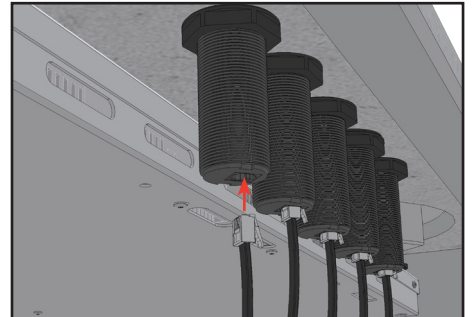


12. When placing the knobs into the countertop, pay attention to the markings. These indicate the front (Top Side) and the top (Front Side) of the knob.

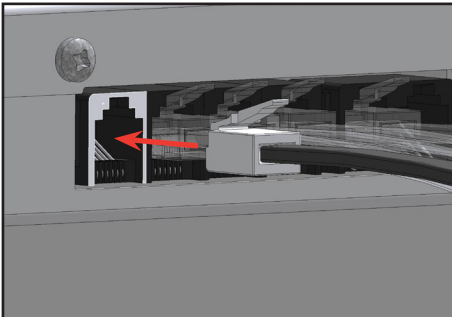


13. Place the rubber ring and the nut onto the knobs. Tighten the nut by hand.


Do not fully tighten the nut yet.



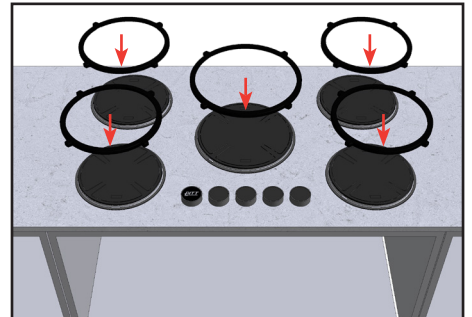
14. Insert one end of the supplied plugs into the buttons.



15. Place the other end of the plug into the container.

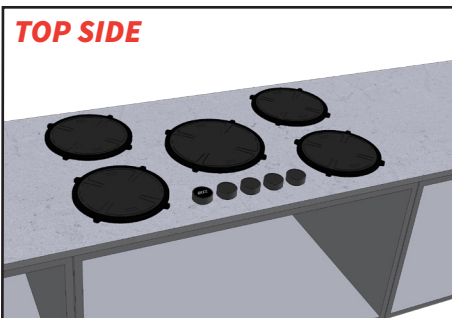


16. You can now check the positions of the knobs. Make sure the knobs are positioned straight. You can now tighten the nut completely.



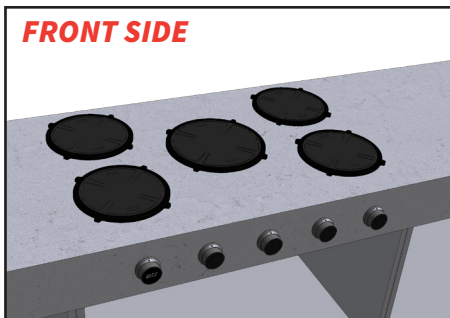
17. Place the supplied decorative rings on the cooking zones.

**TOP SIDE**



18. You have reached the end of the installation. We hope you enjoy cooking with your new PITT® cooking induction cooktop.

**FRONT SIDE**



18. You have reached the end of the installation. We hope you enjoy cooking with your new PITT® cooking induction cooktop.

**IMPORTANT!**

To ensure the **warranty** and **proper functioning of the cooking unit**, the installation, as described in this manual, must be performed diligently.

## Contents of the Package:

2x Support Beams



4x Inserts

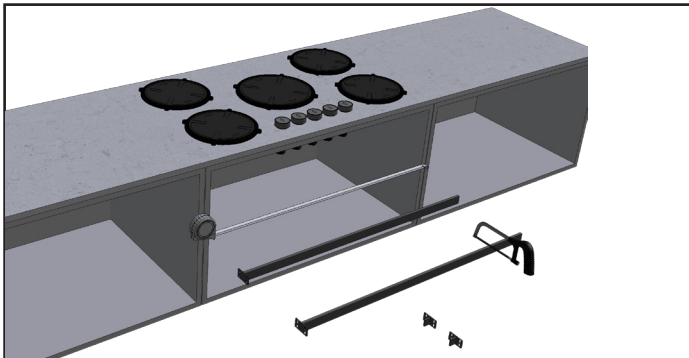


16x Cross-Head Screws (4.2x16 mm)

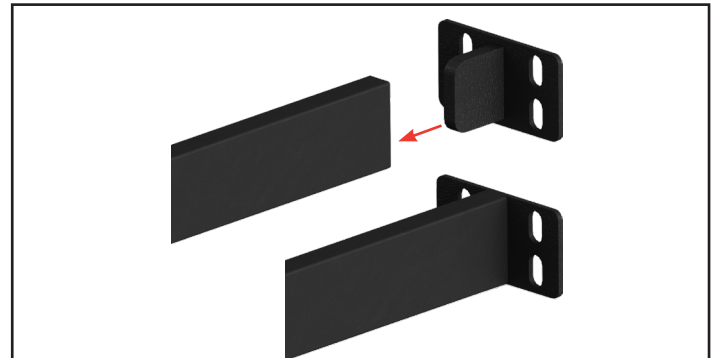


## Required Tools:

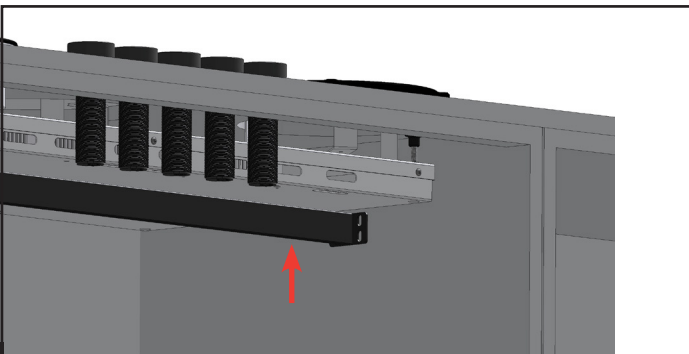
- Tape Measure
- Cross-Head Screwdriver
- Metal Saw



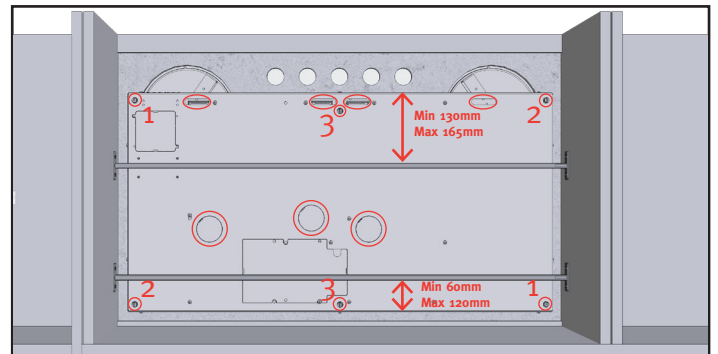
1. Measure the cabinet dimensions and cut the support beams to size. **Note: Correct beam length = Cabinet interior dimension - 4 mm.**



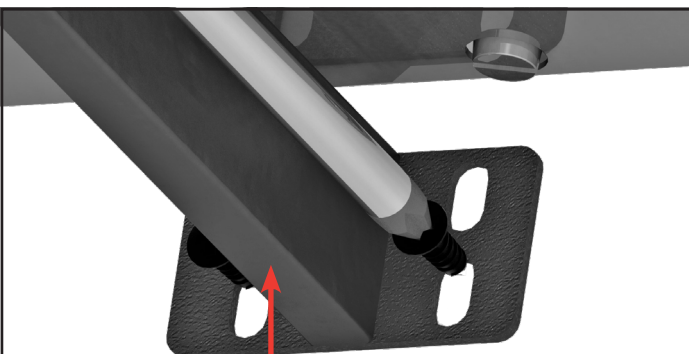
2. Insert the inserts into the ends of the cut-to-size support beams.



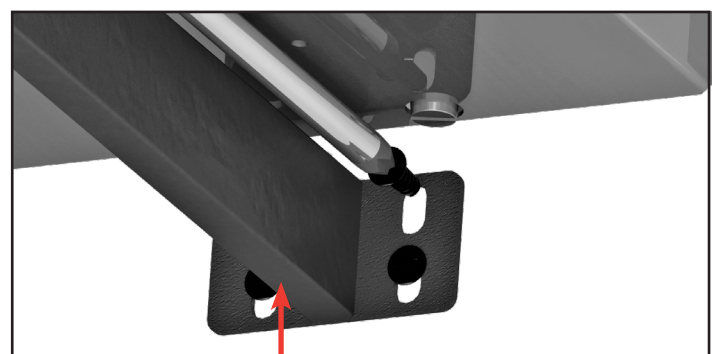
3. Position the support beam between the cabinet and align it against the underside of the PITT® cooking unit. **NOTE THE POSITIONING, SEE STEP 4!**



4. Position the support beam so that the adjustment screws and ventilation openings are easily accessible.



5. Press the support beam firmly against the underside of the PITT® cooking unit and tighten the bottom two screws by hand. Repeat this step for the other side of the cabinet.



6. Firmly press the support beam against the underside of the PITT® cooking unit and fully tighten the top two screws, followed by fully tightening the bottom screws.



***Made in Holland***

PITT® cooking Nederland  
Damzigt 54  
3454 PS De Meern  
The Netherlands

T: +31 (0)88 088 70 70  
F: +31 (0)88 088 70 71  
[www.pittcooking.com](http://www.pittcooking.com)